


NO. 61830040.070

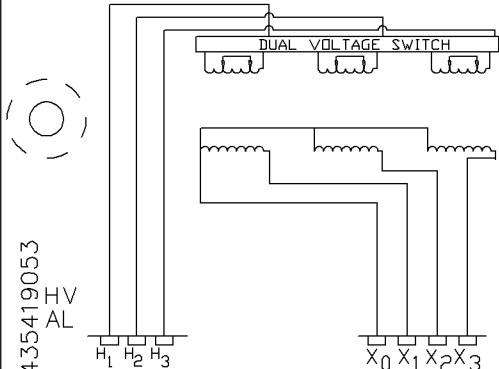
THREE PHASE TRANSFORMER **HOWARD INDUSTRIES** LAUREL MS 39440 USA

READ INSTRUCTION HI 105 BEFORE OPERATING

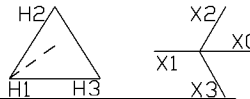
KVA 1000
 HV 4800 X 13200
 WT TANK 1958c&c 2951 OIL II 2476 LBS TOTAL 7385 LBS
 BIL HV 95 LV 30kV  %IMP
 LV 480Y/277 AMPS 1202
 330 GAL

CONT 65 °C RISE CLASS ONAN 60HZ
 TANK DESIGNED FOR +7 PSIG

CONTAINS NO DETECTABLE LEVEL OF PCB (LESS THAN 2 PPM) AT THE TIME OF MANUFACTURE.



VOLTAGE	POS	AMPS	POS	VOLTAGE	TAPS
14400	A	40.09	1	4800	NO
13800	B	41.84	2	13200	YES
13200	C	43.74			
12800	D	45.11			
12470	E	46.30			



9693435419053

HV AL

LV AL

SER. NO. BAR CODE CAT. NO. BAR CODE

SER. NO.

CNP02 = NP68 HV BUSHINGS
 CNP03 = HV CONNECTION
 CNP04 = NP222 HV WDG
 CNP05 = FUSES
 CNPKV = DY POS. KV.

CNP09 = NP121 TAP OR SM BOX
 CNP08 = NP24 LV PHASOR
 CNP10 = NP7 HV PHASOR
 CNP14 = NEUT PHASOR (VECTOR)
 CNP13 = NEUT WDG (COIL)
 CNP06 = LV CONNECTION
 CNP07 = NP88 LV WDG
 CNP11 = NP70 LV BUSHINGS
 CPRI1 = 0
 CPRI1E = 0
 CPRI1F = 0
 CPRI2A = 0
 CPHASH = DEL CPHASL = WYE

WDCOD =01A09A

BLACK ANNODIZED ALUMINUM

REV	DATE	REVISION	BY	APP

HOWARD INDUSTRIES INC.

LAUREL, MISS. USA 39440
 MFG. OF DISTRIBUTION TRANSFORMERS

NAME:	LASER NAME PLATE	CC	857
DESCR:	RF/TP/	SM/D-Y	
ID	3TSTGY36	P.N.	0061830040.070
SCALE	1.000	DWG BY	TT
CHK BY	BJ	DATE	08/17/06

3TSTGY36

CAT. NO. 9693435419053